



## COMPACT AND FAST WITH FULL LWIR RANGE

Specim FX120 is an advanced long-wave infrared (LWIR) hyperspectral camera with a full spectral range of 7.7 to 12.3  $\mu\text{m}$ .

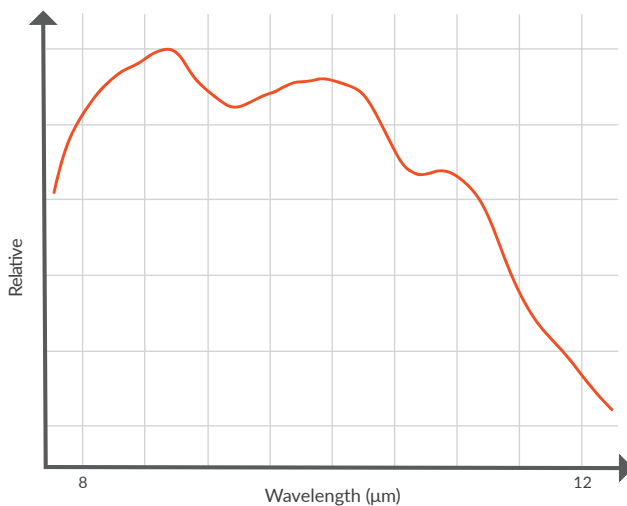
With its excellent spectral and spatial imaging performance, this thermal push-broom HSI camera is well-suited to mineral exploration, environmental analysis, thermal anomaly detection, and safety and security applications.

With the SisuRock workstation, Specim FX120 enables fast and accurate drill core scanning.

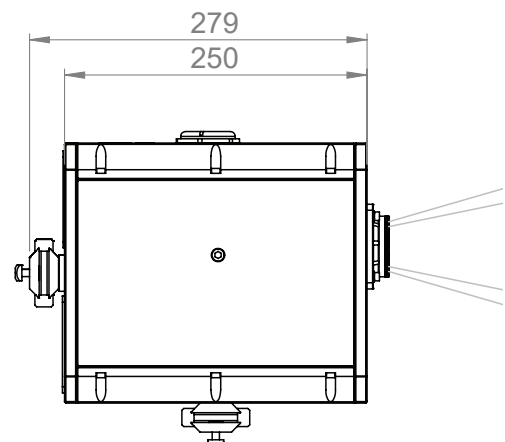
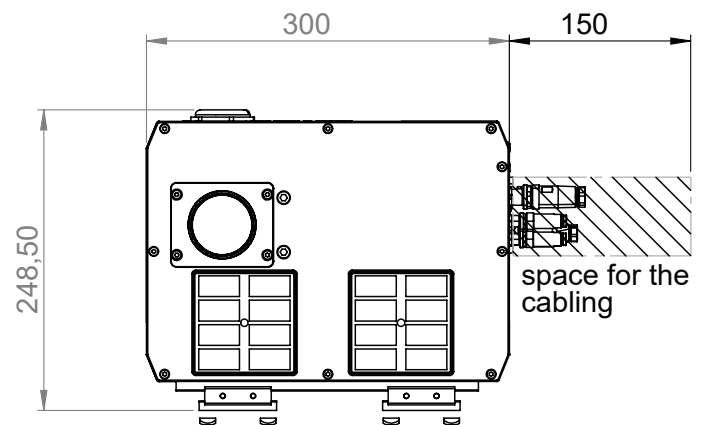
## FEATURES

- 7.7 to 12.3  $\mu\text{m}$  spectral range
- 160 spectral bands
- 616 spatial pixels
- High image speed of 240 FPS (with 1ms integration time)
- High signal-to-noise ratio
- GigE Vision standard interface
- Freely selectable multiple regions of interest (MROI)
- Compact, transferable and robust

## SPECTRAL RESPONSE



## DIMENSIONS



<b>Spectral Range</b>	7.7 - 12.3 $\mu\text{m}$	
<b>Spectral resolution (FWHM)</b>	100 nm (mean)	
<b>Spectral sampling/pixel</b>	30 nm	Without binning
<b>Spectral bands</b>	160	
<b>Numerical aperture</b>	2.0	
<b>Optics magnification</b>	0.5	
<b>Effective pixel size</b>	30 $\mu\text{m}$	At fore lens image plane
<b>Effective slit width</b>	104 $\mu\text{m}$	At fore lens image plane
<b>Effective slit length</b>	18.5 mm	At fore lens image plane
<b>Dynamic Range - Reflectance measurement</b>	4000:1 (1.5ms); 6000:1 (0.2ms)	Maximum true signal / dark noise
<b>Max SNR - Reflectance measurement</b>	2500:1 (1.5ms) ; 3000:1 (0.2ms)	Maximum true signal / signal noise
<b>Max SNR - Emission measurement</b>	500	300 K target; Averaged over spot size
<b>Spatial pixels</b>	616	
<b>Bit depth</b>	16	
<b>Maximum frame rate</b>	240 FPS	Full image with default binning and 1ms integration time
<b>Binning</b>	1,2,4 spectral and spatial	Default: 2 spectral x 1 spatial
<b>ROI</b>	Freely selectable multiple regions of interest	Minimum height of ROI is two 1-binned rows. Maximum frame rate is determined by total number of rows between first row of first MROI and last row of last MROI – not the total number of rows included in the MROI's.
<b>Pixel operability</b>	>= 96 %	
<b>Image corrections</b>	Non uniformity correction Bad pixel replacement Automatic Image Enhancement (AIE)	One point NUC  AIE: Unified spectral calibration + corrected smile and keystone aberrations
<b>Sensor material</b>	MCT	
<b>Integrated cooler</b>	Stirling	
<b>Full well capacity</b>	20 Me-	
<b>Read-out modes</b>	ITR	
<b>Optics temperature</b>	TEC-stabilized	Default is 20 degrees Celsius
<b>Lens mount</b>	Custom mount	
<b>Fore lens options</b>	OLEL43, OLEL32	
<b>Field of view</b>	24 deg., 32 deg.	
<b>Camera digital data output/control interface</b>	GigE Vision, Custom ethernet	
<b>Camera control protocols</b>	GenICam, JSON-RPC	
<b>Power input</b>	24 V DC	
<b>Power consumption</b>	150 W	During simultaneous cool-down of optics and detector
<b>Connectors</b>	Ethernet Aux Power Trig In Trig Out	
<b>IP</b>	IP40	
<b>Dimensions (L x W x H)</b>	250 mm x 300 mm x 220 mm	Mounting surface option on two sides. The mounting kit adds a 24 mm distance on the mounting side.
<b>Weight</b>	15 kg	
<b>Storage temperature</b>	-20 ... +50 $^{\circ}\text{C}$	
<b>Operating temperature</b>	+5 ... +40 $^{\circ}\text{C}$	
<b>Relative humidity</b>	5% – 95% (non-condensing)	

Specim, Spectral Imaging Ltd. ▪ A Konica Minolta Company ▪ POB 110, FI-90591 Oulu Finland ▪ Elekroniikkatie 13, Oulu Finland  
Tel +358 (0) 10 4244 400 ▪ VAT Identification number FI10079234 ▪ info@specim.com ▪ www.specim.com

Information in this document is subject to change without notice. Specim, Spectral Imaging Ltd. reserves the right to change or improve its products and specifications and to make changes in content without obligation to notify any person or organization of such changes or improvements.