



KONICA MINOLTA

ColorReader *CR-10*

25

**Check the color difference between two samples.
Economical, portable, and easy to use.**

- ***Fits in the Palm of your Hand***
- ***Battery Operated***
- ***Lightweight***
- ***Low Price***
- ***Simple to Use***



Color Reader CR-10

Simple operation

Only the functions necessary for use are provided.
Even first users operate it easily.

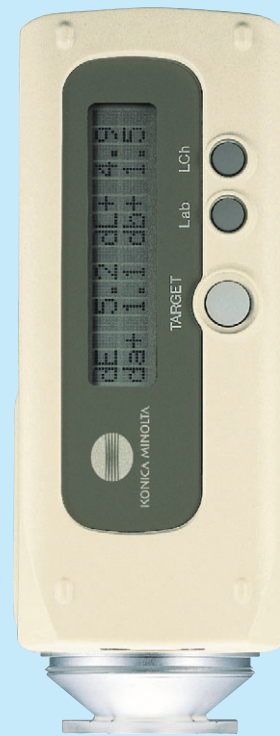
Compact size and light weight

The compact design fits in the palm of your hand.
The CR-10 is also battery operated, so you can take it almost anywhere.

Color difference displayed

$\Delta(L^*a^*b^*)$ dE 1.7 dL- 1.1
da+ 0.6 db+ 1.0

$\Delta(L^*C^*H^*)$ dE 1.7 dL- 1.1
dC+ 1.2 dH+ 1.5V

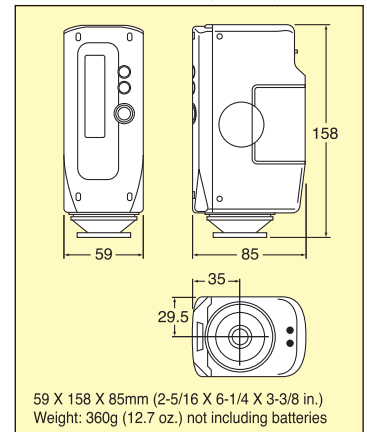


Specifications

Illumination/viewing system	8°: di (8° illumination angle/diffuse viewing : specular component included)
Measuring area	Approx. Ø8mm
Display data	$\Delta(L^*a^*b^*)$ / ΔE^*ab or $\Delta(L^*C^*H^*)$ / ΔE^*ab
Target color memory	1 channel; set by measurement
Measuring range	L*: 10 to 100
Illuminant/observer conditions	Illuminant : CIE Standard Illuminant D65 Observer : CIE 10° Standard Observer
Minimum measurement interval	Approx. 1 sec.
Repeatability	Standard deviation within ΔE^*ab 0.1 (Measurement conditions: Average of measurements of standard white plate)
Power	Four AA-size batteries or optional AC Adapter
Battery performance	Alkaline-manganese batteries: Approx.2000 measurements at 10-sec. intervals Ni-Cd batteries: Approx. 600 measurements at 10-sec intervals
Operation temperature/humidity range	0 to 40°C; relative humidity 85% or less (at 35°C) with no condensation
Standard accessories	Soft Case CR-A68; Protective Cap CR-A72; Wrist Strap CR-A73; AA-size batteries (x4)
Optional accessories	AC Adapter; Printer Cable CR-A75

The specifications and appearance shown herein are subject to change without notice.

Dimensions (Units:mm)



Color Reader CR-??

Do you have a color-measurement need that could be filled by a customized Konica Minolta Color Reader model? We are always eager to listen to your needs, and will consider developing a customized model if sufficient sales quantities (100 units or more) are possible. Please feel free to talk with us about your requirements.

Can we
make one
for you?



SAFETY PRECAUTIONS

For correct use and for your safety, be sure to read the instruction manual before using the instrument.

- Always connect the instrument to the specified power supply voltage. Improper connection may cause a fire or electric shock.
- Be sure to use the specified batteries. Using improper batteries may cause a fire or electric shock.

KONICA MINOLTA, INC.
Konica Minolta Sensing Americas, Inc.
Konica Minolta Sensing Europe B.V.

Osaka, Japan
New Jersey, U.S.A.
European Headquarter /BENELUX

Phone : 888-473-2656 (in USA), 201-236-4300 (outside USA)

Nieuwegein, Netherlands
München, Germany
Roissy CDG, France
Warrington, United Kingdom
Cinisello Balsamo, Italy
Dietikon, Switzerland
Västra Frölunda, Sweden
Wroclaw, Poland
Shanghai, China
Beijing, China
Guangdong, China
Chongqing, China
Shandong, China
Hubei, China
Singapore
Goyang-si, Korea
Bangkok, Thailand

Phone : +31 (0)30 248-1193
Phone : +49 (0)89 4357 156 0
Phone : +33(0)1 80 11 10 70
Phone : +44 (0)1925 467300
Phone : +39 02849488.00
Phone : +41 (0)43 322-9800
Phone : +46(0)31 7099464
Phone : +48(0)71 73452-11
Phone : +86- (0)21-5489 0202
Phone : +86- (0)10-8522 1551
Phone : +86- (0)20-3826 4220
Phone : +86- (0)23-6773 4988
Phone : +86- (0)532-8079 1871
Phone : +86- (0)27-8544 9942
Phone : +65 6563-5533
Phone : +82(0)2-523-9726
Phone : +66-2361-3730

Fax : 201-785-2482
Fax : +31 (0)30 248-1280
Fax : +49 (0)89 4357 156 99
Fax : +33(0)1 80 11 10 82
Fax : +44(0)1925 711143
Fax : +39 02849488.30
Fax : +41 (0)43 322-9809
Fax : +48 (0)71 734 52 10
Fax : +86- (0)21-5489 0005
Fax : +86- (0)10-8522 1241
Fax : +86- (0)20-3826 4223
Fax : +86- (0)23-6773 4799
Fax : +86- (0)532-8079 1873
Fax : +86- (0)27-8544 9991
Fax : +65 6560-9721
Fax : +82(0)31-995-6511
Fax : +66-2361-3771

Konica Minolta (CHINA) Investment Ltd.
SE Sales Division
Beijing Office
Guangzhou Office
Chongqing Office
Qingdao Office
Wuhan Office

Konica Minolta Sensing Singapore Pte Ltd.
Konica Minolta Sensing Korea Co., Ltd.
Konica Minolta, Inc.

Sensing Business
Thailand Representative Office

Addresses and telephone/fax numbers are subject to change without notice. For the latest contact information, please refer to the KONICA MINOLTA Worldwide Offices web page :
©1996 -2015 KONICA MINOLTA, INC.

<http://konicaminolta.com/instruments/network>

9242-4847-41 BFEPK Printed in Japan